



VIRGIN ISLANDS WATER AND POWER AUTHORITY

PR-04-24

Underground Electrical Construction Hannah's Rest Phase 1

April 8, 2024

ADDENDUM II

Questions & Answers, Clarifications, and Modifications

Question #1

The bid form currently has a quantity of 0 Linear Feet for Item 7-D – Duct Bank Section D-D 4-4" PVC (flow fill) under road but this duct bank section is needed at manhole EMH4; please clarify.

Response:

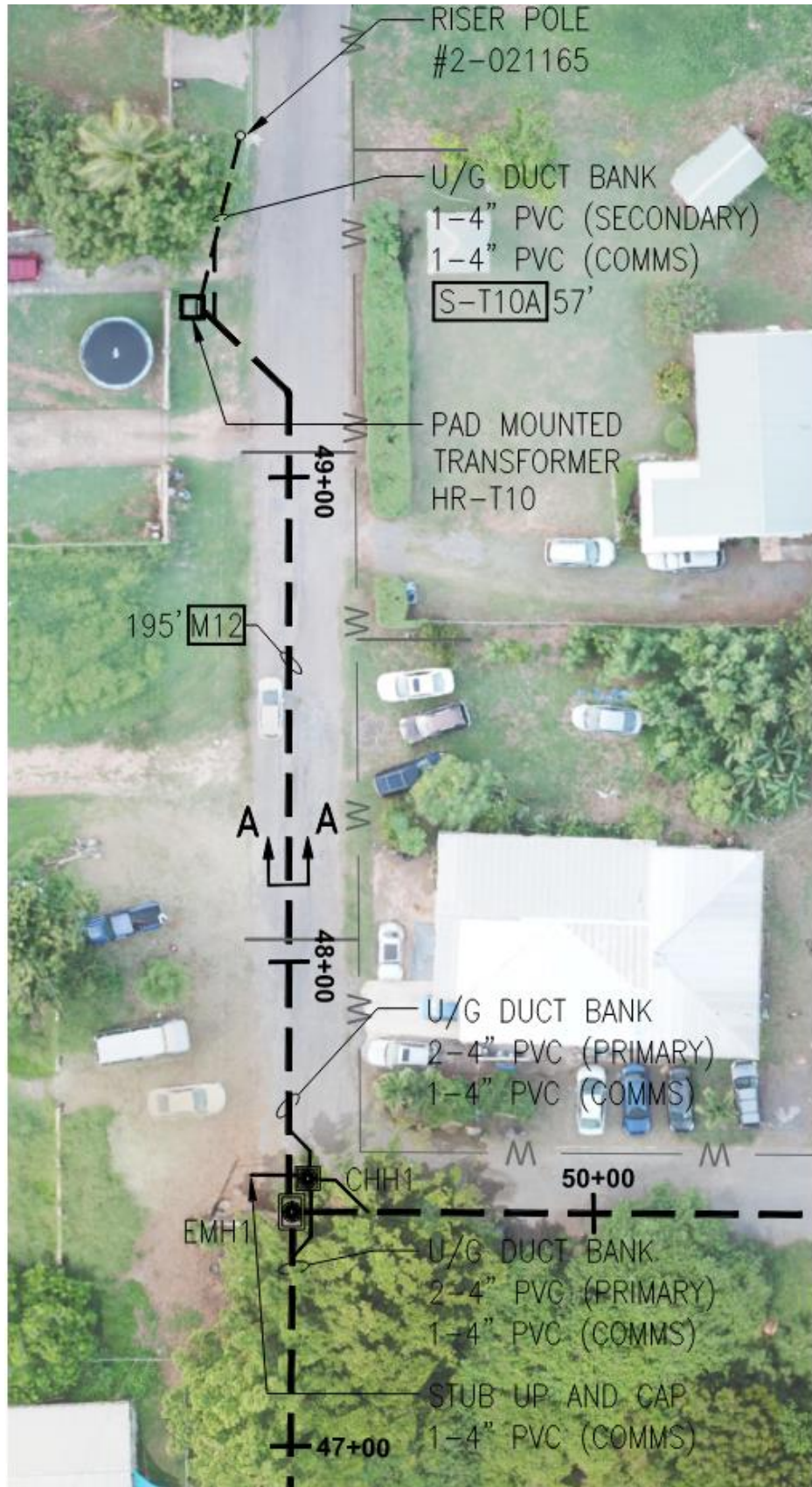
There are not 4-4" PVC at EMH4. There are 3-4" PVC (Section A-A), and 5-4" (Section K-K) plus 3-4" PVC stub outs. The scope of work for this project does not presently include PVC Section D-D duct bank.

Question #2

On sheet STX-20131-HR-E-302 near station 48+00 the plans call for duck bank section D-D but also calls of 4-4" PCV (Primary) and 1-4" PCV (Comms) which is section K-K please clarify.

Response:

Section' A-A' is the correct section. This duct bank shall be 3-4" PVC. One conduit is spare, one conduit is for communications and one conduit shall include 2-1/C #1/0 cables (to and from HR-T10). See attached sketch on page 3.



Question #3

The bid form currently has a quantity of 0 Linear Feet for Item 7-D – Duct Bank Section D-D 4-4” PVC (flow fill) under road but this duct bank section is needed at manhole EMH1 if the above question calls for section K-K please clarify.

Response:

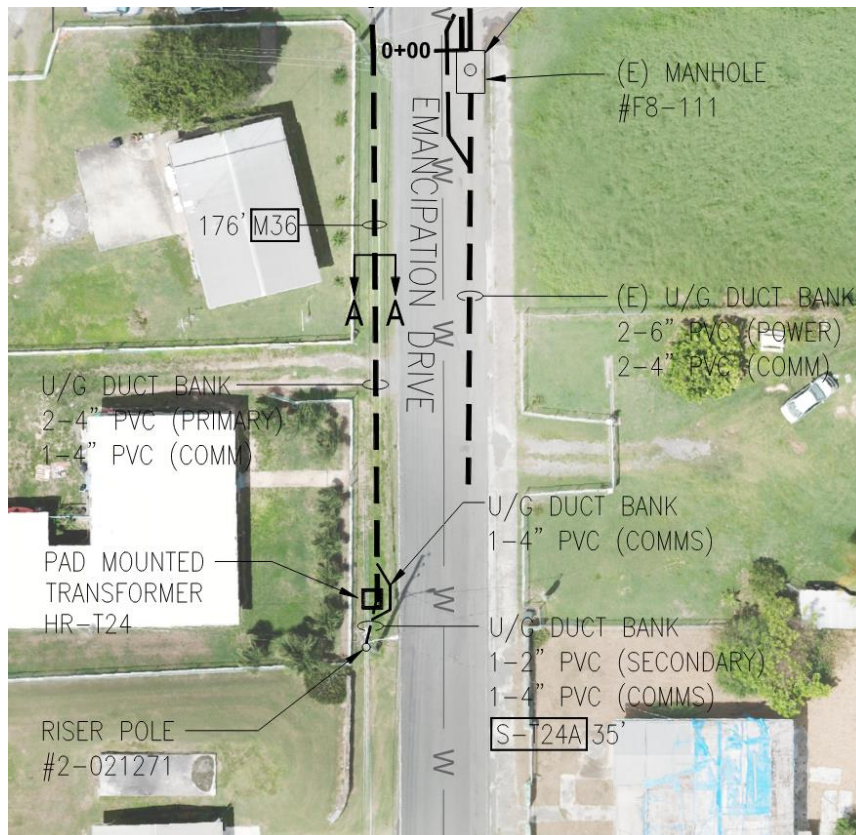
The duct bank that runs from EMH1 to HR-10 shall be Section ‘A-A’. This is correctly indicated under Tag M12 in the Main Duct Bank Schedule on Drawing #E-401. See attached sketch under response to question #2 (page 3).

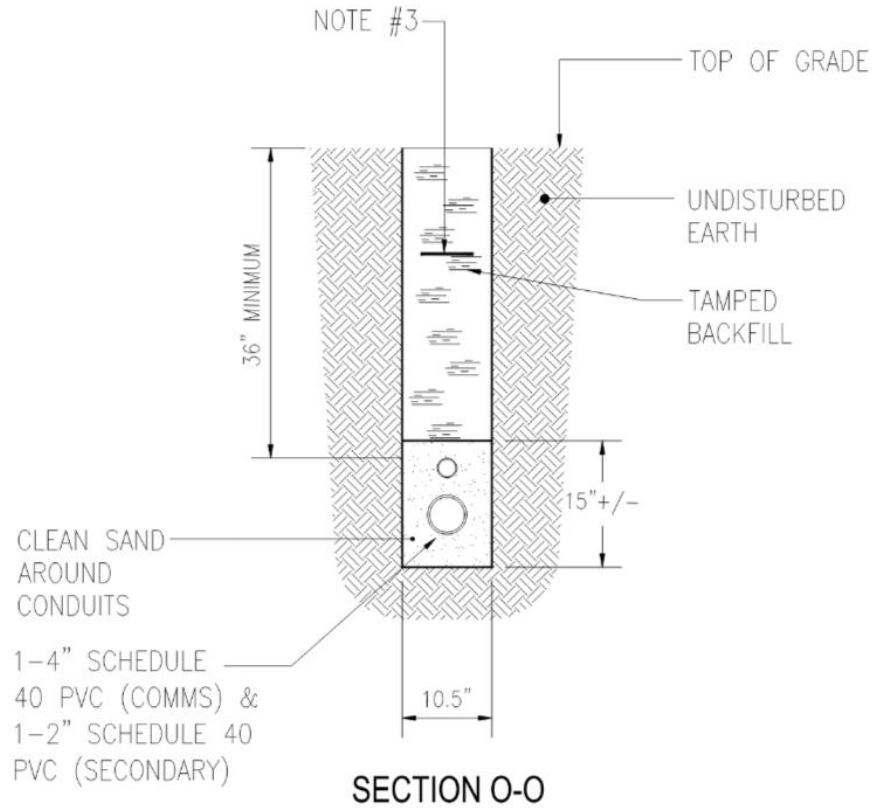
Question #4

On sheet STX-20131-HR-E-302 behind station 0+00 the plans call for 1-4” PVC (Comms) and 1-2” PVC (Comms) to be stub up and cap but it is unclear to what the conduits are stubbed up to as there is no pole or proposed equipment where they are shown; please clarify the work in the area around transformer HR-T24.

Response:

See revised sketch for clarification. The 1-2” PVC for communications has been eliminated. The new duct bank section O-O shown below shall be used for secondary and communications duct bank “S-T24A”.



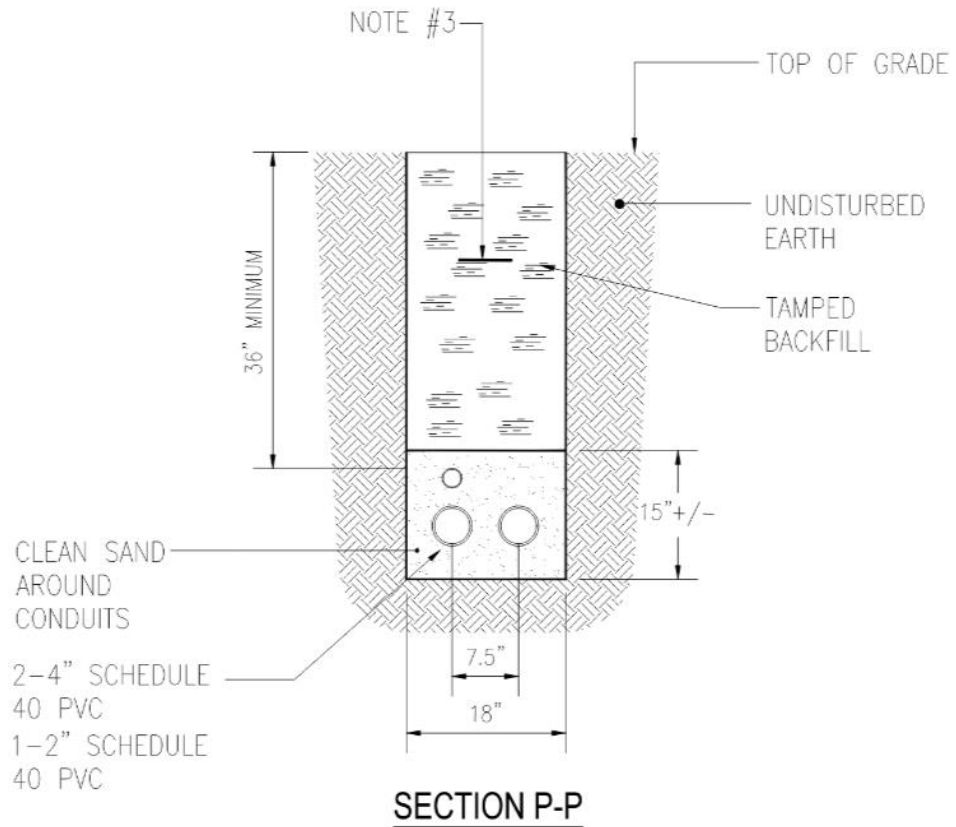
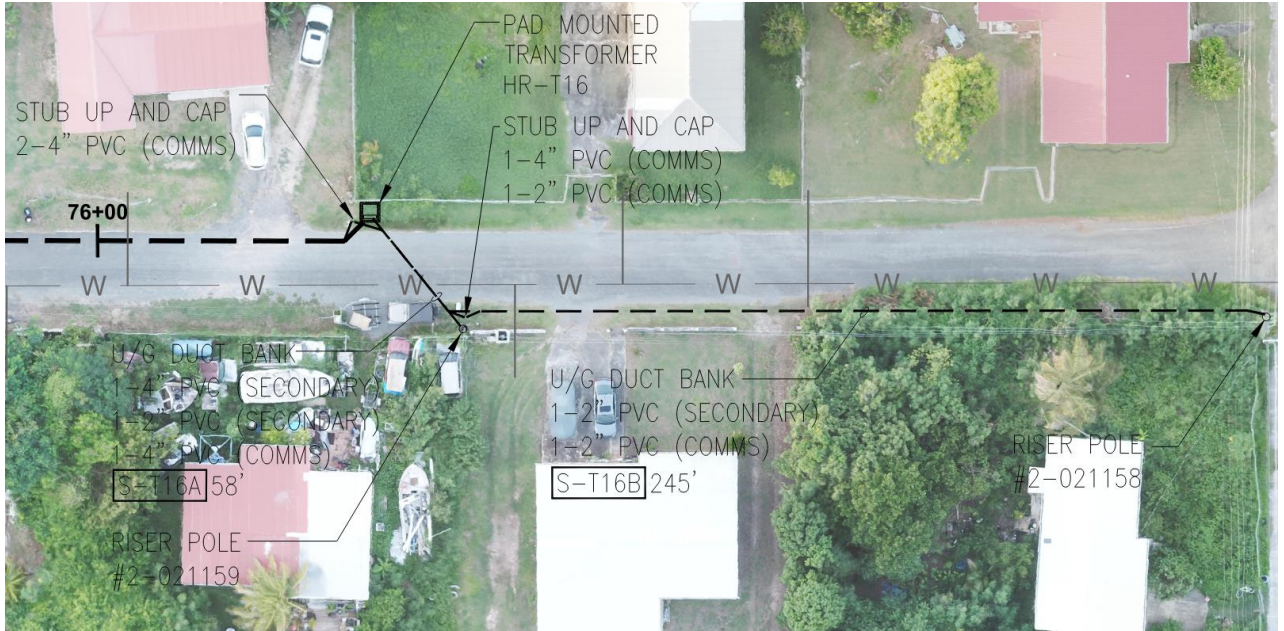


Question #5

On sheet STX-20131-HR-E-300 to the East of Riser Pole #2-021160 the plans call for 1-2" PVC (Secondary) and 1-2" PCV (Comms) to come out of a 1-4" PCV (Primary) and 1-4" PCV (Comms) duck bank; please clarify how these are connected to each other.

Response:

See attached sketch for clarification/modification. The new duct bank section P-P shown below shall be used for secondary and communications duct bank "S-T16A". Please refer to the updated Bid Form attached.



Question #6

The bid form currently has a quantity of 0 Linear Feet for Item 7-D – Duct Bank Section D-D 4-4” PVC (flow fill) but on STX-20131-HR-E-302 right before station 2+00 1-4” PVC (Comms) splits off from a K-K section causing the rest to be a D-D section going to switchgear UGS-8B-HR1; please clarify.

Response:

Because the communications conduit will stub up right next to the switchgear, we have chosen to designate the entire run as Section K-K (5-4’ PVC), instead of splitting this small run into separate sections (D-D and L-L in this case). This is typical throughout the project.

Question #7

On sheet STX-20131-HR-E-302 station 40+00 to 44+50 the plans call for duck bank section A-A but also calls for 2-4” PCV (Primary) and 1-2” PCV (Comms) which is not section A-A please clarify.

Response:

Section ‘A-A’ is correct. This duct bank run should be 3-4” PVC. See attached sketch for clarification. The new duct bank section O-O shown previously shall be used for secondary and communications duct bank “S-T25A”. Please refer to the updated Bid Form attached.

Clarifications

Clarification #1:

For the purposes of communicating to suppliers anticipated buy out of material dates, please refer to the estimated dates:

- a. Contract Award: July 19, 2024**
- b. Notice to Proceed: August 23, 2024**
- c. Contractor to Begin Excavation: October 04, 2024**

Clarification #2:

Please refer to the anticipated dates of delivery for owner furnished equipment:

- a. Transformers: March, 2025**
- b. Switchgear: January, 2025**
- c. MV Cables: October, 2024**

Clarification #3:

On the primary riser pole base detail on Drawing #E-102, note #3 shall be omitted. The riser pole will not be a composite pole.

Clarification #4:

The Bituminous Pavement Restoration Detail on drawing G-101 does not call for milling of existing pavement before overlay installation, but the drawing shows that 2” of existing asphalt is being removed. However, 2” milling for full lane bituminous pavement restoration is required.

Clarification #5:

The MV cable schedule on Drawing #E-400 indicates that the cable tag 1 is copper cable, and that cable tag 2 and 3 is aluminum cable. This is incorrect. All cable shall be aluminum.

Clarification #6:

The Bid Form included on page 34 of the RFP is in conflict with the Bid Form that was included in the folder labeled 'Drawings and Specifications' and the PDF labeled Hannah's Rest Bid Form from 02-12-24. The Bid Form on page 34 of the RFP is incorrect.

Modifications

Modification #1:

Please refer to the modified typical manhole accessories/bill of material schedules below which supersedes the schedule provided on Drawing #E-100.

TYPICAL MANHOLE ACCESSORY BILL OF MATERIAL				
ITEM NUMBER	MANUFACTURER	CATALOG NUMBER	DESCRIPTION	QTY. REQ. (PER MANHOLE)
①	UNDERGROUND DEVICES	FSRM-12	1/2"-13 DROP-IN ANCHOR MATERIAL: 18-8 STAINLESS STEEL	40
②	UNDERGROUND DEVICES	FFW316-18-40	FLAT WASHER I.D.=.562 O.D.=1.25, THK.=.078 MATERIAL: 316 STAINLESS STEEL	40
③	UNDERGROUND DEVICES	FHC316-16-044	1/2"-13 X 1 -3/8" LG. HEX HEAD CAP SCREW MATERIAL: 316 STAINLESS STEEL	40
④	UNDERGROUND DEVICES	CR36-B	36" LONG X 4" WIDE STANCHION MATERIAL: 50% GLASS REINFORCED NYLON	8
⑤	UNDERGROUND DEVICES	RA20	RA20 ARM (20" LONG) MATERIAL: 50% GLASS REINFORCED NYLON	8
⑥	UNDERGROUND DEVICES	HDL	HDL LOCK MATERIAL: POLYCARBONATE	8
NOT SHOWN	UNDERGROUND DEVICES	FRT-112	SETTING TOOL TO INSTALL DROP-IN ANCHORS	1

NOTES:

1. ALL MATERIAL LISTED ABOVE SHALL BE FURNISHED & INSTALLED BY THE CONTRACTOR.
2. ALL MATERIAL LISTED ABOVE SHALL BE AS SPECIFIED, OR APPROVED EQUAL. THE CONTRACTOR SHALL PROVIDE SUBMITTALS FOR REVIEW AND APPROVAL.

Modification #2:

Replace electrical testing requirements on Drawing #G-100 with the following:

ELECTRICAL TESTING REQUIREMENTS

CONTRACTOR SHALL PERFORM ELECTRICAL ACCEPTANCE TESTING FOR NEW EQUIPMENT AND MATERIALS AS DESCRIBED BELOW. NOTE THAT TESTING IS NOT REQUIRED FOR EXISTING EQUIPMENT AND COMPONENTS. IF QUALIFIED, THE CONTRACTOR MAY SELF PERFORM ALL MV CABLE AND LV CABLE TESTING.

ACCEPTANCE TESTING RESPONSIBILITIES

PAD MOUNTED MV DISTRIBUTION SWITCHGEAR

1. REFER TO SPECIFICATION 261300.01, SECTION 6.5 'FIELD QUALITY CONTROL' FOR DETAILS.
2. REFER TO SPECIFICATION 260800.01 "ELECTRICAL INSPECTION & TESTING" FOR ADDITIONAL INFORMATION.

MEDIUM VOLTAGE CABLES (REFERENCE: ANSI/NETA ATS-2021 SECTION 7.3.3)

1. REFER TO SPECIFICATION 260513, SECTION 3.2 "FIELD QUALITY CONTROL" FOR DETAILS.
2. REFER TO SPECIFICATION 260800.01 "ELECTRICAL INSPECTION & TESTING" FOR ADDITIONAL INFORMATION.

TRANSFORMERS, LIQUID FILLED (REFERENCES: NFPA 70B & ANSI/NETA ATS-2021 SECTION 7.2.2)

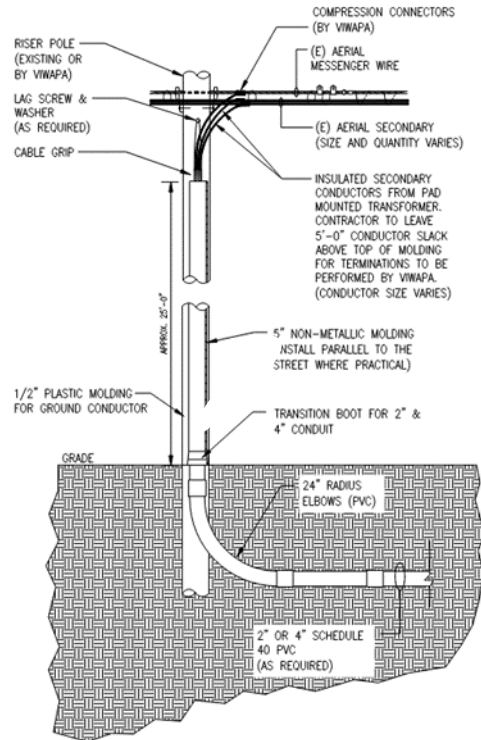
1. REFER TO SPECIFICATION 261219, SECTION 3.5 "FIELD QUALITY CONTROL" FOR DETAILS.
2. REFER TO SPECIFICATION 260800.01 "ELECTRICAL INSPECTION & TESTING" FOR ADDITIONAL INFORMATION.

CABLES, LOW VOLTAGE, 600-VOLT MAXIMUM (REFERENCE: ANSI/NETA ATS-2021 SECTION 7.2.2)

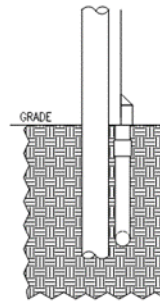
1. REFER TO SPECIFICATION SECTION 260519, SECTION 3.5 'FIELD QUALITY CONTROL' FOR DETAILS.
2. REFER TO SPECIFICATION 260800.01 "ELECTRICAL INSPECTION & TESTING" FOR ADDITIONAL INFORMATION.

Modification #3:

Replace the secondary riser pole base detail on Drawing #E-102 with the following detail:



**SECONDARY RISER POLE
DETAIL - FRONT VIEW**



**SECONDARY RISER POLE
DETAIL - SIDE VIEW**

Modification #4:

The Payment Schedule included on page 22 of the RFP, is in conflict with the suggested Payment Schedule that was included in the folder labeled 'Drawings and Specifications' and the PDF titled 'Pay Schedule Hannah's Rest, Phase 1'. A new suggested Payment Schedule is attached, that shall supersede the two conflicting Payment Schedules.

Modification #5:

Replace the following Specification Sections with the new Specifications attached:

- **Section 01005 – Miscellaneous Requirements for additional scope associated with Archaeological monitoring.**
- **Section 260513 - Medium Voltage Cables**
- **Section 261319 - Medium Voltage Underground Switchgear. Refer to the Partial One Line Diagram below for additional clarification.**

